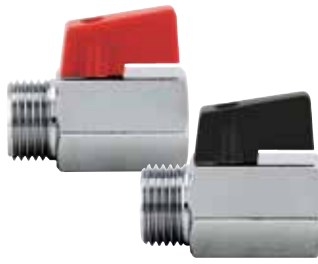


126

MINI BALL VALVES



SIZE	PRESSURE	CODE	PACKING
1/8" (DN 6)	15bar/217,5psi	1260018/N	20/320
1/4" (DN 8)	15bar/217,5psi	1260014/N	20/320
3/8" (DN 10)	15bar/217,5psi	1260038/N	20/320
1/2" (DN 15)	15bar/217,5psi	1260012/N	20/220
3/4" (DN 20)	15bar/217,5psi	1260034/N	15/150

TECHNICAL SPECIFICATIONS

Threads: male/female.

Lever handle in nylon.

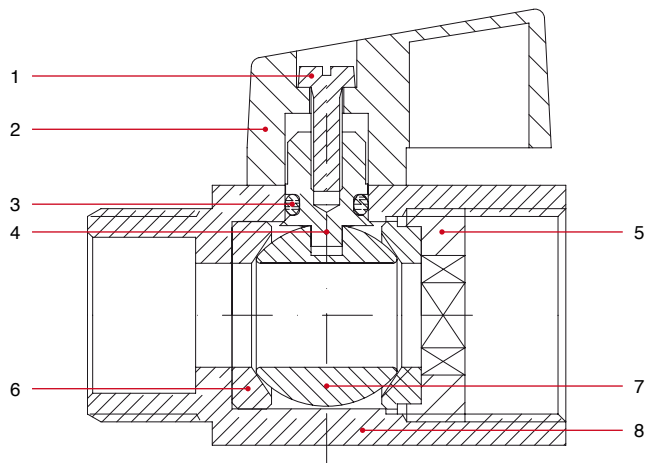
Minimum and maximum working temperatures: 0°C, 90°C.

Threads: ISO228

(equivalent to DIN EN ISO 228 and BS EN ISO 228).

Mention "N" in the code to order the black handle.

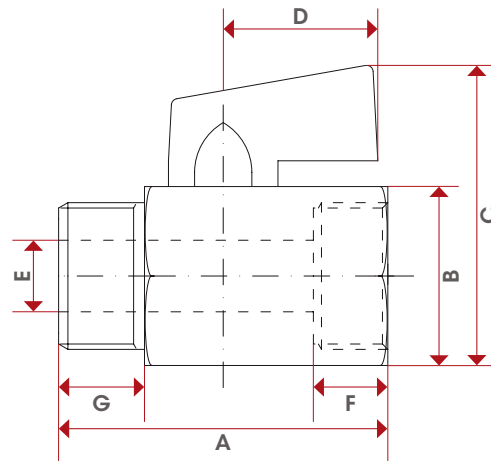
MATERIALS



POS.	DESCRIPTION	N.	MATERIAL
1	Screw	1	Chrome-plated steel Fe
2	Lever handle	1	Polymer
3	O-Ring	1	NBR
4	Stem	1	Brass CW614N
5	End adapter	1	Brass CW614N
6	Seat	2	P.T.F.E.
7	Ball	1	Chrome-plated brass CW614N
8	Body	1	Chrome-plated brass CW614N

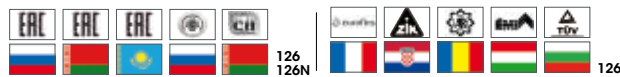


OVERALL DIMENSIONS



	1/8"	1/4"	3/8"	1/2"	3/4"
DN	6	8	10	15	20
A	39	39	40	45	51
B	20	20	20	24	30
C	37	37	37	41,5	47
D	22	22	22	22	22
E	5	8	8	10	12
F	10	10,2	10	12	12,2
G	9	9,2	10,2	12	14
Kg/cm ² bar	15	15	15	15	15
LBS - psi	217,5	217,5	217,5	217,5	217,5

CERTIFICATIONS



126
126N

126

